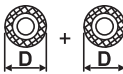


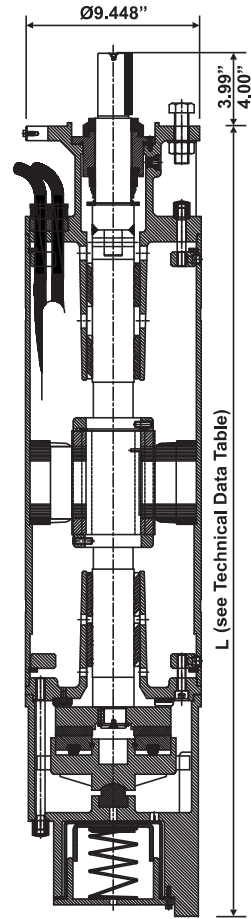
10 INCH WATER FILLED MOTOR

Type	Pn [hp]	S.F	Un (Volts)	Thrust Load (N)	Full load Amps	S.F. Amps	RPM	Efficiency [%]	Cos φ (P.F)	T _N (Nm)	Locked rotor Amps	KVA code	Length (L) (inch)	Gross weight (lbs.)
								F.L	F.L					
M10-1500-460-316	150	1.15	460	60000	224.5	240.0	3500	86.0	0.84	300.2	1158	G	66.8	986
M10-1750-460-316	175	1.15	460	60000	253.5	274.0	3500	87.0	0.87	368.5	1306	G	73.5	1060
M10-2000-460-316	200	1.15	460	60000	293.5	318.0	3500	87.0	0.87	409.5	1556	F	78.6	1120
M10-2500-460-316	250	1.15	460	60000	376.0	400.0	3500	87.0	0.84	505.0	1775	E	82.5	1166

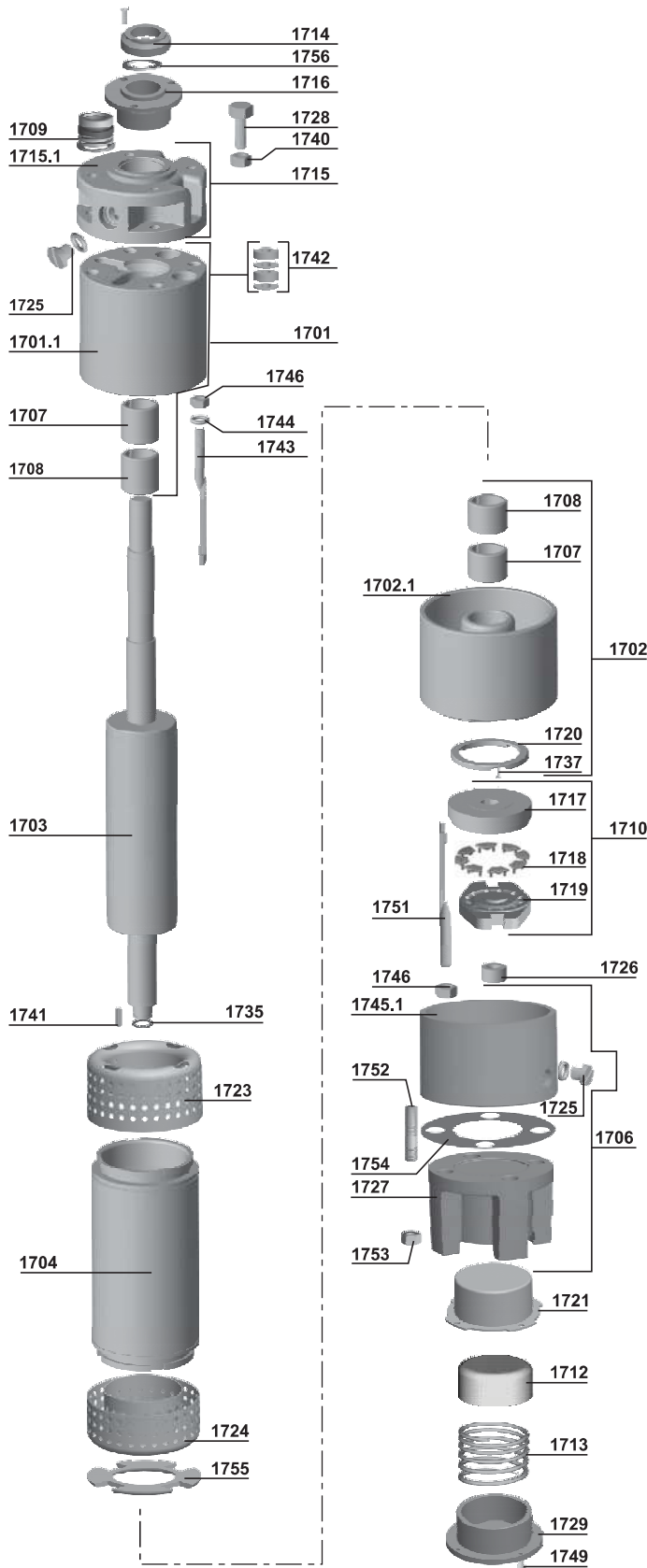
NOTE: Stainless steel 304 is available on request.

CABLE DATA

HP	ph	Type of start	Cable x Leads x Size (AWG)	Length [ft]	D [inch]	
150 - 250	3	DOL	3 x 1 x 00 + 1 x 1 x 1	16.4	0.55 inch	



NOTE: These motors are equipped with PT100 sensor.



MATERIALS

PART NO.	PARTS NAME	MATERIAL
1701	UPPER BEARING HOUSING (COMPLETE)	-
1701.1	UPPER BEARING HOUSING	SS316
1702	LOWER BEARING HOUSING (COMPLETE)	-
1702.1	LOWER BEARING HOUSING	SS316
1703	ROTOR	SS316
1704	STATOR	SS316
1706	MOTOR BASE (COMPLETE)	-
1707	UPPER BEARING BUSH (58 X 74X 60) MM	CARBON
1708	LOWER BEARING BUSH (58 X 74X 60) MM	CARBON
1709	MECHANICAL SEAL	SIC / SIC / NBR
1710	THRUST BEARING SET	CARBON V/S S.S.
1712	DIAPHRAGM PROTECTOR CUP	PU COATED GREY IRON
1713	SPRING	STAINLESS STEEL
1714	SAND GUARD	NBR
1715	ADAPTOR (COMPLETE)	-
1715.1	ADAPTOR	SS316
1716	SEAL GUARD	SS316
1717	THRUST DISC WITH CARBON	PU COATED GREY IRON / CARBON
1718	THRUST SEGMENT PIECE (QTY-8)	STAINLESS STEEL
1719	THRUST BEARING BASE	STAINLESS STEEL
1720	COUNTER RING	POLYAMIDE 66
1721	DIAPHRAGM	NBR
1723	UPPER WINDING PROTECTOR	PLASTIC
1724	LOWER WINDING PROTECTOR	PLASTIC
1725	WATER PLUG WITH 'O' RING	SS316
1726	BEARING SUPPORT	STAINLESS STEEL
1727	MOTOR BASE	STAINLESS STEEL
1728	BOLT	SS316
1729	DIAPHRAGM COVER	SS316
1735	CIRCLIP	SPRING STEEL
1737	SCREW FOR COUNTER RING (QTY-3)	STAINLESS STEEL
1740	NUT FOR BOLT	SS316
1741	KEY	STAINLESS STEEL
1742	CABLE KIT	-
1743	UPPER TIE ROD	EN-8
1744	'O' RING FOR TIE ROD	NBR
1745.1	BEARING HOUSING	SS316
1746	TIE ROD NUT	SS316
1749	ALLEN PIN (QTY-4)	SS316
1751	LOWER TIE ROD	EN-8
1752	STUD FOR MOTOR BASE (QTY-4)	SS316
1753	NUT FOR MOTOR BASE	SS316
1754	GASKET	NBR
1755	LOWER WINDING SUPPORTER	NBR
1756	WASHER	TEFLON

ORDERING NOTE:

While ordering spare parts kindly mention motor type, part no, part name, material & quantity in the order.